

### TPS MIGRATION and LIFE-CYCLE SOLUTIONS

#### TPS MIGRATION BENEFITS

- **Universal Training** Configuration and Documentation
- **Continuous reduction in cost and schedule** for subsequent migrations
- **Reduced Cost** of Ownership (Initial and Life Cycle)



*X Technologies' approach to VDATS TPS Migration encompasses a team approach that ensures focus on each of the challenge areas and guarantees complete requirements coverage.*

- Legacy TPS and ATE Research
- VDATS TPS Backbone and Specifics
  - VDATS Augmentation Integration
  - TPS Hardware Development
  - Documentation and Training

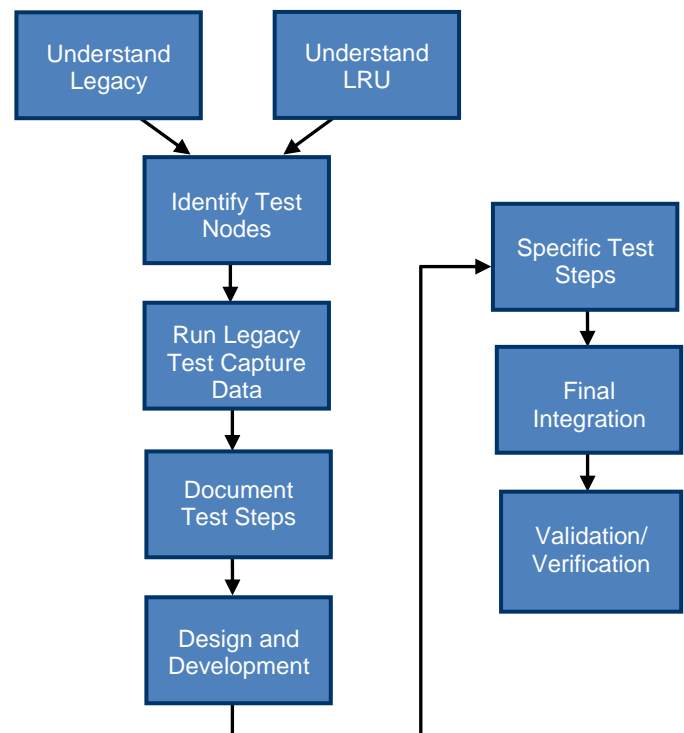
**The RATIO of the OUTPUT to the INPUT of any system (work per unit time)**

For any system, the EFFICIENCY is the measure of this ratio. If a system runs at 70% efficiency, then 30% of work or input is non-productive.

Losses occurring with Electronics Depot are attributed to problems such as:

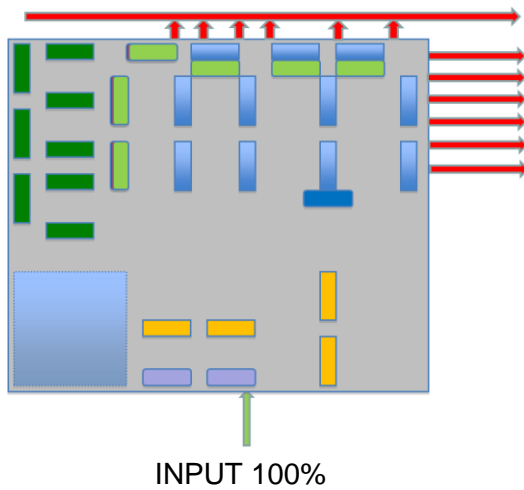
1. Ineffective processes
2. Uniqueness with individual systems and procedures
3. Singularity in skills and education of personnel
4. Static capability within the support equipment
5. Large Numbers of unique hardware items
6. Many software architectures and techniques
7. Ineffective obsolescence management
8. Manual Testing and report generation
9. Human Error and RTOK,

When you rely on X Technologies' TPS Migration services, you can expect improved productivity and efficiency to your testing services. Always striving to exceed our customers' expectations, we will work diligently to produce your individual requests.



# Electronics Depot Lean Transformation

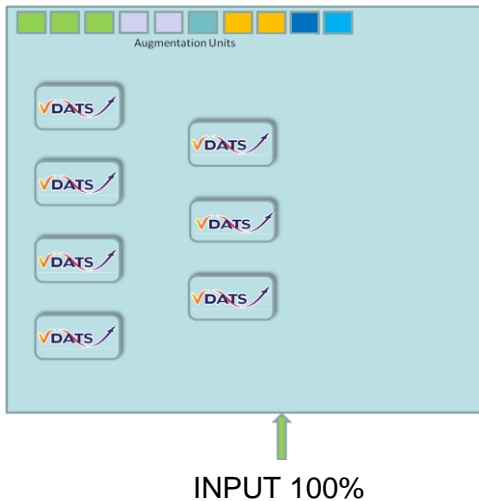
## BEFORE DEPOT LEAN TRANSFORMATION



OUTPUT 70%  
Multiple Output Points

- Depot Floor is Static, Inefficient
- Each System has to be managed
- Unique Maintenance and Obsolescence
- Maintenance is Costly and Unmanageable
- Unique Training is Limited Skill Base
- Obsolescence is Costly and Widespread
- Unique Documentation for Each System

## AFTER DEPOT LEAN TRANSFORMATION



OUTPUT 90%

- Depot Floor becomes Configurable
- One Core System to Manage
- Reduced Maintenance
- Common Training
- Reduced Logistics Footprint
- Automated and Common Calibration

## LEAN TRANSFORMATION BENEFITS

- Common Item Management
- Reduced Obsolescence Pressure
- Efficient Production and Planning
- Reduced Cost of Ownership (Initial and Life Cycle)
- Effective Life Cycle Management
- Common Training and Personnel Experience
- Common Procedures and Reports
- Capability and Production Configures to Match Workload
- Surge Capacity Greatly Enhanced
- Common Maintenance Processes and Procedures
- New Requirements Adapt Quickly and Cost Effectively



100 Sandau, Suite 300  
San Antonio, TX 7821  
(210) 822-8712  
(210) 877-8796 (fax)

www.x-technologies.com

**Increase in Efficiency =  
Cost Reduction ++ Revenue Increase**